

Application Note - Installing Frame-Mounted Power Optimizers

Introduction

Frame-mounted power optimizers are mounted directly on the module frame in rail-less racking systems. Mounting the power optimizers in advance saves installation time.

You can mount the power optimizer at any point of the frame. The supported module frame cross-section is 1.1-2.2 mm/ 0.04-0.09 in.

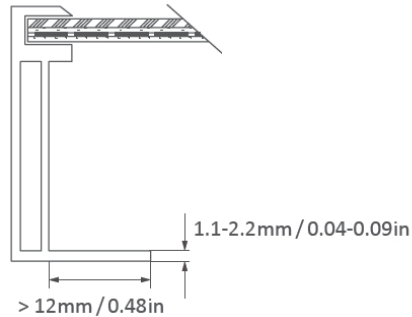


Figure 1: Frame Dimensions

→ To install a frame-mounted power optimizer on a PV module:

1. Insert the bracket back plate underneath the module frame.

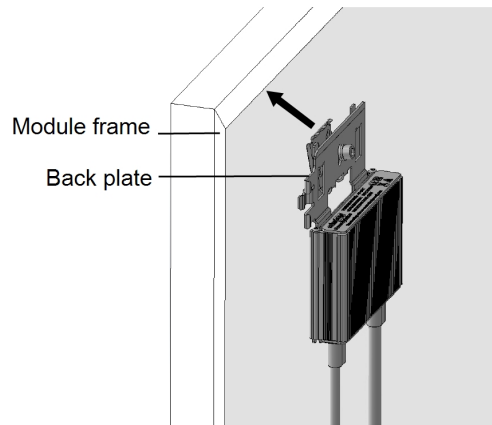


Figure 2: Mounting the power optimizer on the module frame

2. Fasten the screw, applying torque: of 15 N*M / 11 ft*lb.

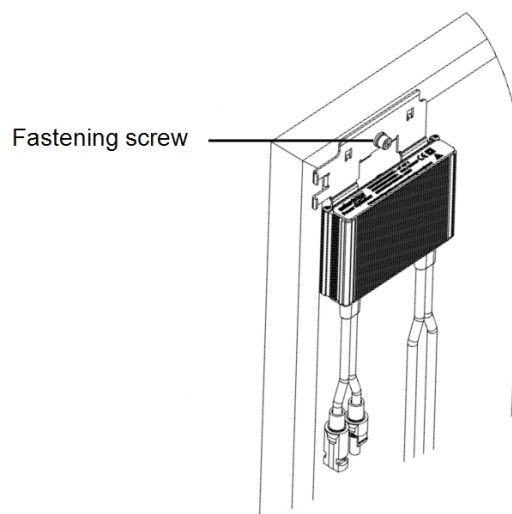


Figure 3: Fastening the power optimizer to the PV module