

DDSU666-H Smart Power Sensor Quick Guide

Issue: 01
Date: 2018-05-18

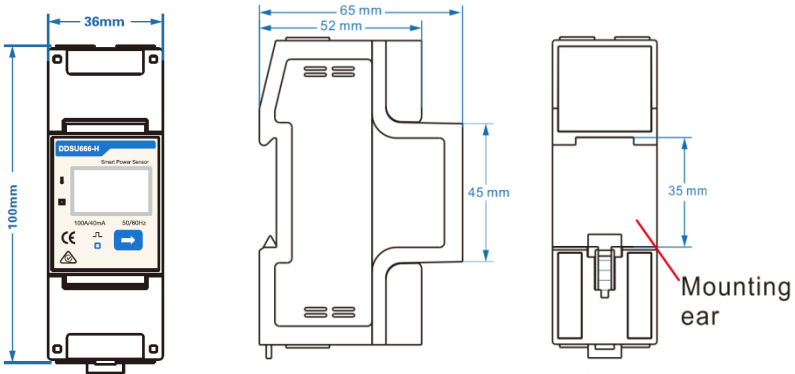


Copyright © Huawei Technologies Co., Ltd. 2018. All rights reserved.

1 Overview

Model Naming Conventions

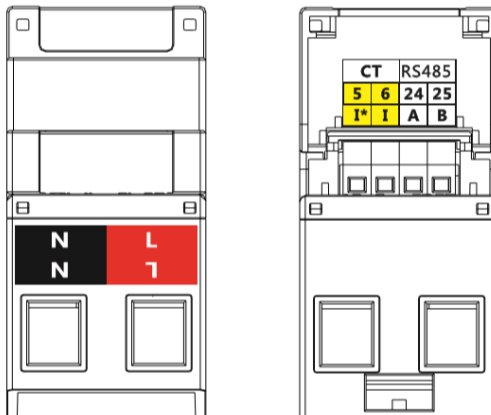
DDSU666-H



Port Definition

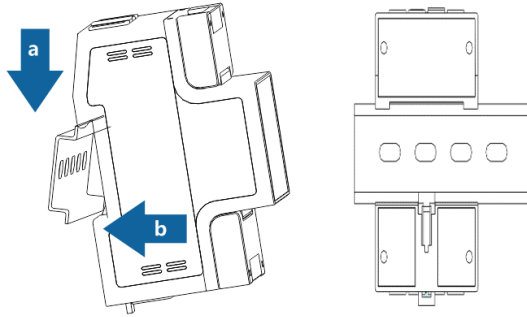
Voltage Input: 230 V; CT Current Input: 40 mA

Current Transformer(CT): 100 A/40 mA



2 Installing the DDSU666-H

- 1 Install the instrument on the standard din rail of DIN35mm.
- 2 Install the instrument to the standard din rail from the top to the bottom, and then push the instrument to the din rail from the bottom to the front part.



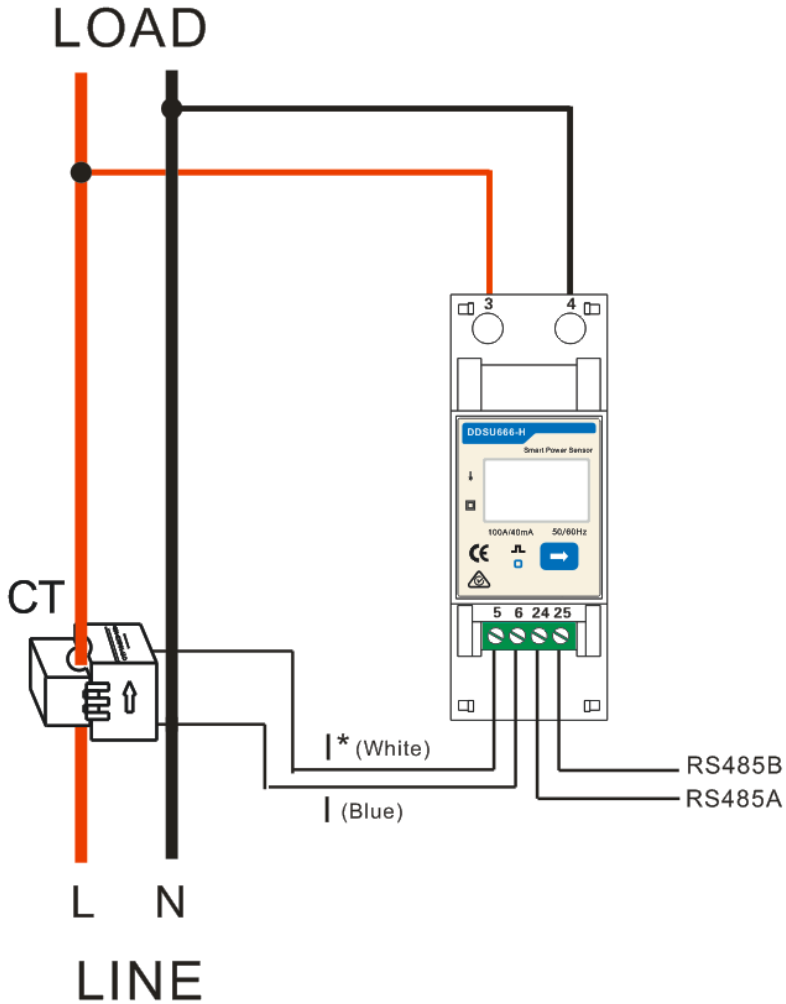
3 Installing the DDSU666-H Cable

Prepare cables

Cable	DDSU666-H	Type	Conductor Cross-sectional Area Range	Outer Diameter	Source
AC power cable	L-3	Two-core (L and N) outdoor copper cable	4-6 mm ²	10-21 mm	Prepared by the customer
	N-4				
CT cable	I*-5	N/A	N/A	N/A	Manufacturer
	I-6	N/A	N/A	N/A	
Comm. cable	RS485A-24	Two-core outdoor shielded twisted pair	0.25-1 mm ²	4-11 mm	Manufacturer
	RS485B-25				

Connecting Diagram

1. Connect the L,N voltage lines to the 3, 4 terminals of the collector.
2. Connect current transformer outlets I*, I to terminals 5, 6 of the collector.
3. Connect RS485A and RS485B to the communication host.



4 User Interface

Display (Auto loop)

Auto loop Switch time = 5s.

No.	Display interface	Description	No.	Display interface	Description
1	^{Imp.} 000 120 ^{k W h}	Imp. active energy=1.2kWh	2	^{Exp.} 000 100 ^{k W h}	Exp. active energy=1.00kWh
3	^{k W} P 1.100	active power=1.1kW	4	^V U 220.0	Voltage =220.0V
5	^A 1 5.000	Current =5.000A	6	^F F 50.00	Freq.=50.00 Hz

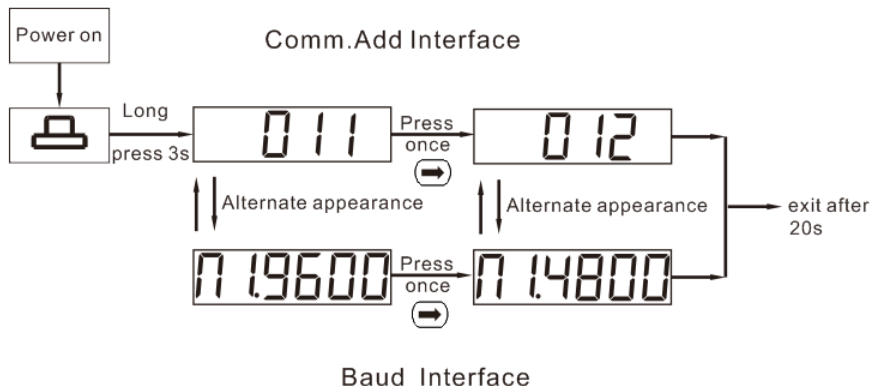
Display (Change By Key “→”)

No.	Display interface	Description	No.	Display interface	Description
1	^{k W h} 0000.20	Comb. active energy=0.20kWh	2	^{Imp.} 000 120 ^{k W h}	Imp. active energy=1.2kWh
3	^{Exp.} 000 100 ^{k W h}	Exp. active energy=1.00kWh	4	n19600	None parity, 1 stop bit, baud=9600bps
5	^{No.} 0 1 1	Comm.Add = 11	6	^V U 220.0	Voltage=220.0V
7	^A 1 5.000	Current =5.000A	8	^{k W} P 1.100	active power=1.1kW
9	^F Ft 1000	Power Factor =1.000	10	^F F 50.00	Freq.=50.00 Hz

Comb. active energy = Imp. active energy-Exp. active energy

Setup

The Power Sensor can set up the communication address and the baud rate through the key : Long press the button 3s, The Power Sensor automatically enters into the setting interface of communication address, while the setting & display interface of baud rate and communication address circularly displays. Please press the button once required settings for baud rate or communication address, and it will exit the communication address and baud rate without button operation for twenty seconds.



5 Troubleshooting

Fault phenomenon	Factor analysis	Elimination method
No display after the instrument being powered on	<ol style="list-style-type: none">1. Incorrect wiring mode;2. Abnormal voltage supplied for the instrument;	<ol style="list-style-type: none">1. If the wiring mode is incorrect, please connect based on the correct wiring mode (see the wiring diagram).2. If the supplied voltage is abnormal, please supply the voltage on the instrument specification.
Abnormal RS485 communication	<ol style="list-style-type: none">1. The RS485 communication cable is disconnected, short circuit or reversely connected.2. The address, baud rate, data bit and parity bit of the instrument is not in accordance with the host computer;	<ol style="list-style-type: none">1. If any problems for the communication cable, please change the cable.2. Set the address, baud rate, data bit and parity bit of the instrument to be the same as the host computer through buttons and so as the "parameter setting".
Power metering inaccuracy	<ol style="list-style-type: none">1. Wrong wiring, please check whether the corresponding phase sequence of voltage and current is correct.2. Check whether the high & low end of current transformer inlet is reversely connected. Please observe the power, to be abnormal if any negative values.	For wrong wiring, please connect based on the correct wiring mode (see Connecting Diagram).

6 Verifying the Installation

1. Check that all mounting brackets are securely installed and all screws are tightened.
2. Check that all cables are reliably connected with correct polarity and no short circuit.

7 Powering On the System

For details, see the other description.

Huawei Technologies Co., Ltd.
Huawei Industrial Base, Bantian, Longgang
Shenzhen 518129 People's Republic of China
www.huawei.com